



Quick Reference Guide for Hardware Installation

Table of Contents

Introduction	2
What's Included.....	2
Additional Hardware	2
Installation.....	3
Connect Router to ISP Gateway	3
Connect the All-in-One Terminal	4
Connecting Printers	5
Epson Thermal Receipt Printer	5
Installing the Remote Printer	5
Connect Pin Pad to the Exatouch System	6
Dejavoo Z6 Pin Pad.....	6
PAX S300 Pin Pad.....	6
Additional Peripherals	7
Connecting the Barcode Scanner.....	7
Connecting Scales.....	7

*For assistance with the installation process, contact our **24/7 Technical Support Team at (800) 966-5520 – Option 3** or email us at support@electronicpayments.com.*

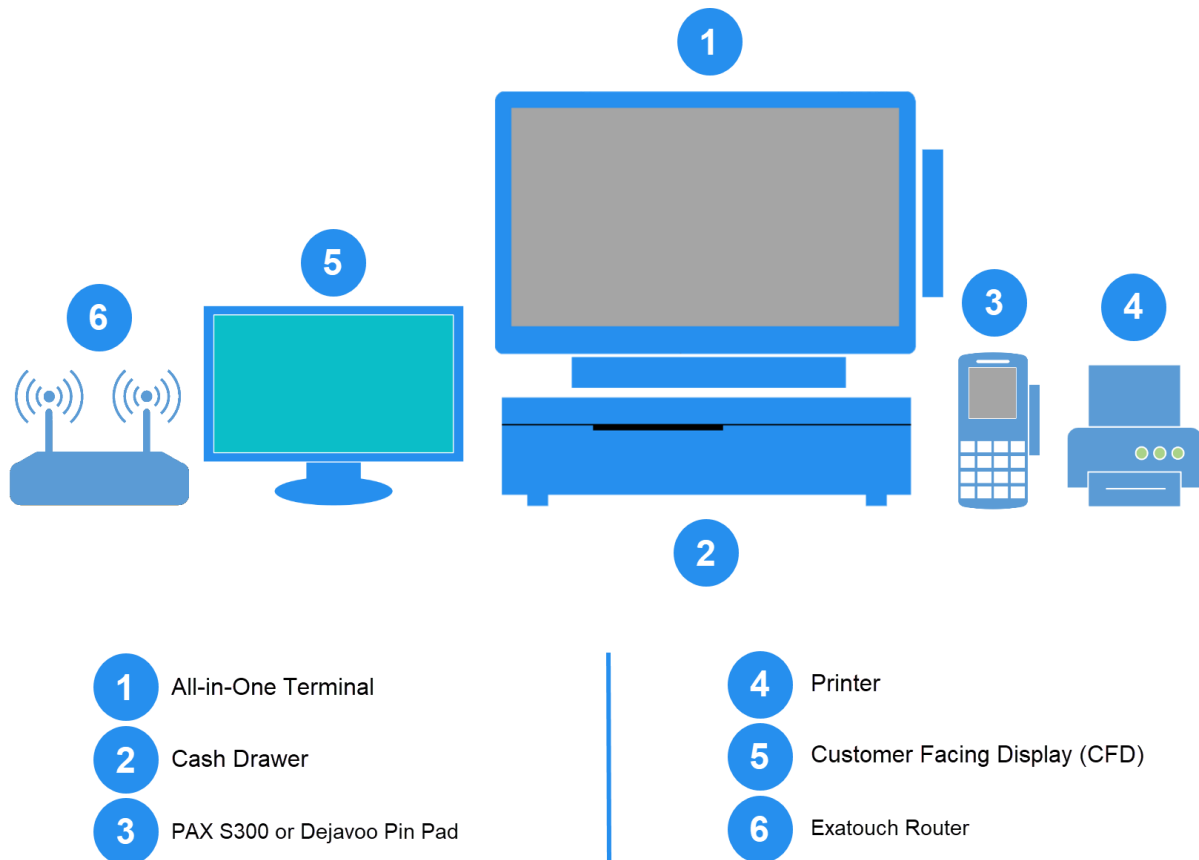
Introduction

These procedures provide instructions to help users successfully install and operate the hardware components of the Exatouch Point of Sale (POS) system

This document is intended to be a Quick Reference Guide and does not incorporate all capabilities and features available in the Exatouch POS system.

What's Included

The following equipment comes with your Exatouch POS system. Exact models of some equipment and configurations may vary.



Additional Hardware

- Mouse
- Ethernet Cables (3)
- USB-A to USB-B Cable
- USB-A to Micro USB Cable
- VGA Cable
- Two (2) rolls of starter receipt paper

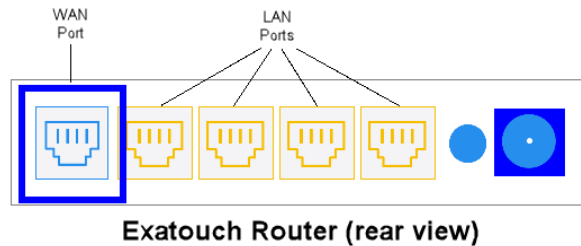
Installation

Connect Router to ISP Gateway

Connect the Exatouch router to your existing ISP Gateway. The Exatouch router is required for setup.

1. Plug one end of an ethernet cable into the **WAN port** on the Exatouch router.

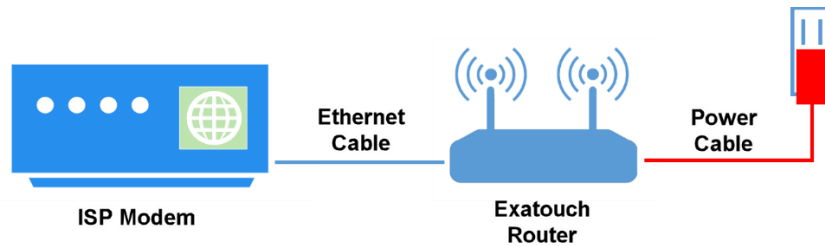
NOTE: The **WAN port** connects the router to the Internet.



2. Connect the other end of the cable into a **LAN port** on your ISP Gateway.

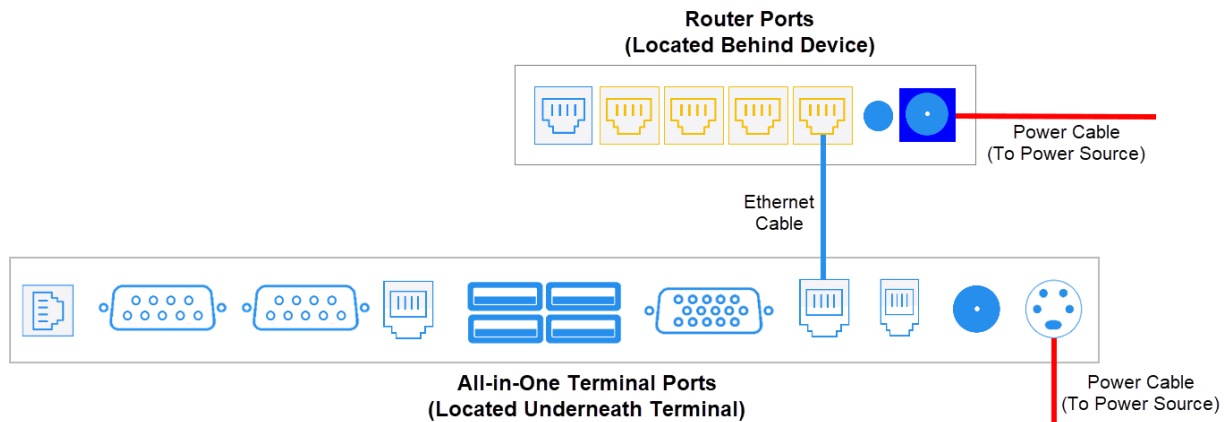
NOTE: LAN ports share Internet connections with other Exatouch devices.

3. Plug the Exatouch router power cable into the power outlet. A surge protector is recommended.



Connect the All-in-One Terminal

1. Connect one end of an ethernet cable to the **LAN Port** nearest to the **Power Cable** port on the All-in-One Terminal.
2. Plug the other end of an ethernet cable into an available **LAN Port** behind the Exatouch router.
3. Plug the All-in-One Terminal power cable into a power outlet.



4. Press the **Power Button** at the bottom right of the terminal.



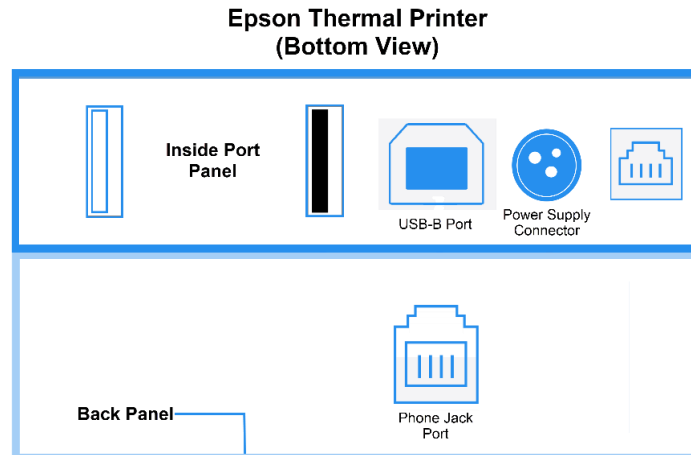
5. If using a Customer Facing Display (CFD), connect the display's **VGA** cable into an available **VGA port** underneath the All-in-One Terminal.
6. If enabling touch features on the CFD, plug the **USB** cable into an available **USB port** under the All-in-One Terminal.

Connecting Printers

Epson Thermal Receipt Printer

This procedure describes printer port connections. Refer to the “Epson Thermal Receipt Printer Setup Guide” that came with your Exatouch bundle for detailed instructions.

1. Remove bottom panel of printer to display interior ports.



2. Connect the Printer to the All-in-One Terminal.
 - a. Plug the USB-B end of a USB-A to USB-B cable into the **USB-B port** of the printer.
 - b. Connect the other end of the cable to the All-in-One Terminal.
3. Connect the Printer to the Cash Drawer.
 - a. Plug the RJ11 end of the ethernet-to-phone cord into the phone jack port of the printer.
NOTE: The RJ11 port is located underneath the printer, near the back panel.
 - b. Connect the ethernet end of the cord to the Cash Drawer.
4. Plug the Power Adapter into the Power Supply Connector of the printer.
5. Activate the Printer by pressing the **Power Button** on top of the device.

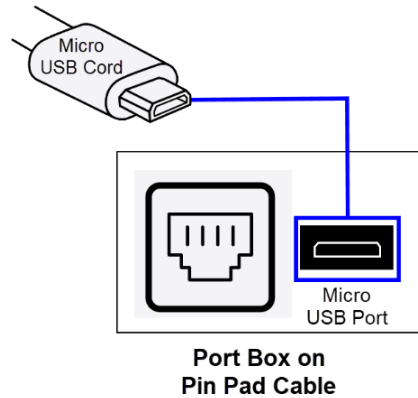
Installing the Remote Printer

1. Access ports on bottom panel of the Printer.
2. Connect the Printer to the Exatouch router using an RJ45/Cat cable.
3. Plug the Printer into a power source.
4. Activate the Printer by pressing the **Power Button**.
5. On the All-in-One Terminal, configure remote print options. From **Home**, navigate to **Settings > Print Settings** and tap the **Remote Options** tab to make needed changes.

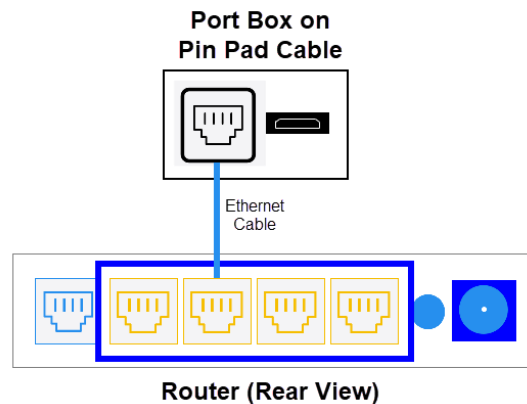
Connect Pin Pad to the Exatouch System

Dejavoo Z6 Pin Pad

1. Plug the Micro USB end of a USB-A to Micro USB cord into the **Port Box** on the pin pad cable.



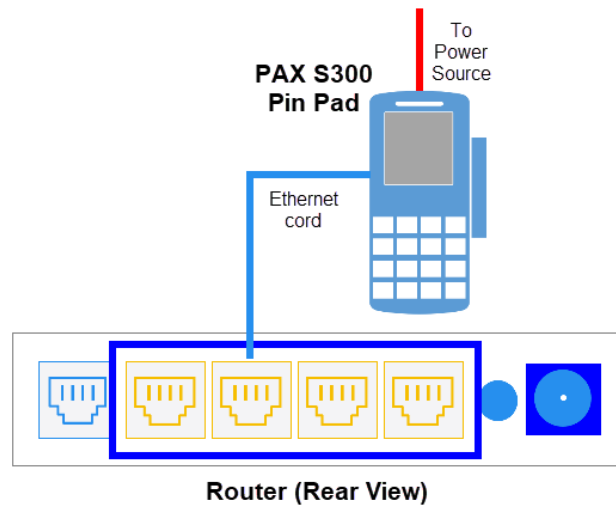
2. Plug the USB-A end of the cord into an available **USB port** underneath the All-in-One Terminal.
3. Insert one end of an ethernet cable into the cable box of the pin pad cable.
4. Connect the other end of the ethernet cable to an available **LAN port** on the Exatouch router. The pin pad initializes.



PAX S300 Pin Pad

1. Mount the PAX S300 pin pad in the desired location.
2. Connect one end of the ethernet cable into an available **LAN port** on the Exatouch router.
3. Connect the other end of the ethernet cable into the red **LAN connector** on the pin pad.
4. Plug the pin pad into a power source. The pin pad initializes

NOTE: Only the red LAN connector requires connection. The RS232A and RS232B cable ends are not used when interfacing the PAX S300 pin pad with Exatouch.



Additional Peripherals

Connecting the Barcode Scanner

NOTE: Retain the manual that came with your barcode scanner for future use.

1. Assemble the scanner stand.
2. Fasten the scanner to the scanner stand.
3. Plug the scanner cable into an available **USB port** underneath the All-in-One Display.

Connecting Scales

Perform the following to connect scales to Exatouch:

1. If connecting the **30 lb. Digital Scale** or **40-lb. Digital Scale**, place the scale on a flat surface, ensuring the scale's level bubble is centered.
2. Connect the scale to Exatouch using a serial cable.
3. Plug the scale to a power supply.
4. Press the **On** button to activate the scale.
5. If connecting an **In Counter Scale**, plug the remote display into Exatouch as well.

NOTE: Allow a 15-minute warmup period before operating the scale.